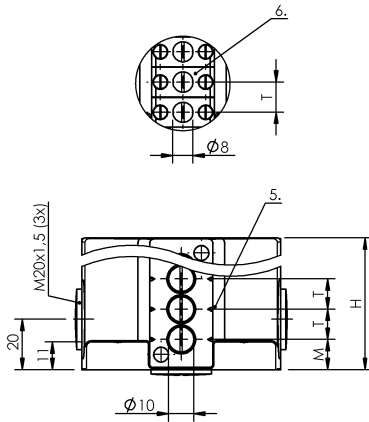
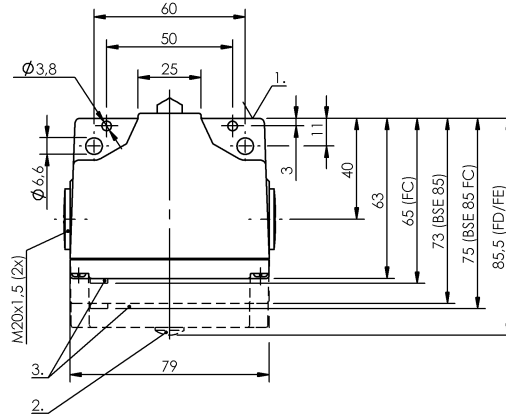


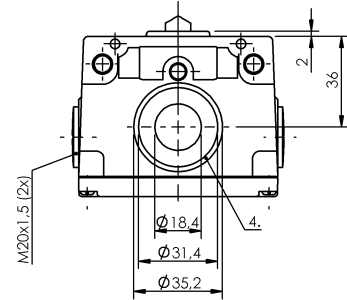
M=12	BNS..61-A..
M=16	BNS..61-B..
M=24	BNS..61-C..
M=30	BNS..61-D..



Gehäuse B/Housing B



Gehäuse B (Standard)/Housing B (Standard)



Gehäuse C/Housing C

1) Reference edge, 2) Function indicator FD/FE/LL, 3) Function indicator FC, 4) Sealing ring, 5) Mark f. safety switch pos., 6) Anti-crystall. plunger

**Characteristic data**

Design 61  
 Plunger style 1st pos.: Roller bearing  
 3rd pos.: Roller bearing  
 2nd pos.: Roller bearing  
 Switching element 1st pos.: BSE 85  
 3rd pos.: BSE 85  
 2nd pos.: BSE 85  
 Plunger block No  
 Function indicator 1st pos.: none  
 3rd pos.: none  
 2nd pos.: none

**Electrical data**

Rated operating voltage Ue 1st pos.: 250 V AC  
 3rd pos.: 250 V AC  
 2nd pos.: 250 V AC  
 Continuous current 6 A  
 Switching function mech Double-interrupting  
 Dual output function  
 Galvanically isolated  
 One NO and one NC  
 NC forced-opening per VDE  
 Normally open with snap funct.

**Mechanical data**

Type Mech. multiple position  
 Version Safety EN 60204-1  
 Connection 1. screw terminal  
 3. screw terminal  
 2. screw terminal  
 Connector None  
 Dist. cam to reference edge 1st pos.: 5 - 0.5 mm  
 3rd pos.: 5 - 0.5 mm  
 2nd pos.: 5 - 0.5 mm  
 Plgr. dist. 1st switch pos. 12 mm  
 Plunger diameter 10 mm

Switching rate

1st pos.: max. 160/min  
 3rd pos.: max. 160/min  
 2nd pos.: max. 160/min  
 1st pos.: 1 mil. operations  
 3rd pos.: 1 mil. operations  
 2nd pos.: 1 mil. operations  
 Approach direction Lengthwise, par. to mtg. surf.  
 Approach speed 1st pos.: 80 m/min  
 3rd pos.: 80 m/min  
 2nd pos.: 80 m/min  
 Switching operation force 1st pos.: min. 30 N  
 3rd pos.: min. 30 N  
 2nd pos.: min. 30 N

Ambient temperature Ta min. -5 °C  
 Ambient temperature Ta max. 85 °C  
 Housing material Aluminum  
 Housing finish Eloxal  
 Contact material 1st pos.: silver  
 3rd pos.: silver  
 2nd pos.: silver

Plunger material

1st pos.: stainless steel  
 3rd pos.: stainless steel  
 2nd pos.: stainless steel

Depth 73 mm  
 Spacing T 12 mm  
 Flange feed-through None

**Basic data**

Operating principle 1st pos.: mechanical  
 3rd pos.: mechanical  
 2nd pos.: mechanical  
 DIN switch No  
 Enclosure Type per IEC 60529 IP67  
 Shock rating max. 100g / 2ms  
 Vibration rating 10-500 Hz, 3 mm pp, 20 g

**Remarks**

Additional features None

**BNS 813-B03-L12-61-A-22-03**  
**Ordering code: BNS02JP**  
Mechanical multiple position switches

Plunger Roller bearing  
No. of switch positions 3

**BALLUFF**  
*sensors worldwide*

